



QUARTZ SINGLE GLAZED

Technical Data Sheet

Product Information

Dimensions:

Standard maximum height: 13ft 9in
(can be increased with engineering stamp)
Track Width: 1" for glass up to 9/16", 1-1/4" for 5/8" and above

Acoustic Performance:

Up to 41 STC

Joints:

Clear Polycarbonate dry fit or silicone butt glazing, please specify
Dry joints available in 180, 135, 90 & T.

Door Configurations:

Frameless Glass
Framed All Glass
Stile Door with Glass
Double Glazed Acoustic
Timber Door

Track and Frame Materials:

Aluminum

Finishes:

Powder Coat
Anodized Color options
Wood Effect

Hardware:

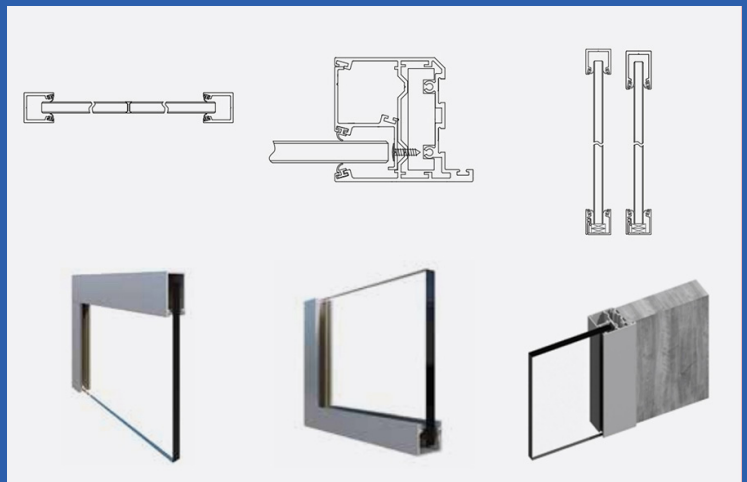
Sky 365 standard hardware
Custom hardware schedules accommodat-
ed

Glass Types:

Tempered
Tempered-Laminated
Ballistic
LCD
Tinted

Thicknesses:

3/8" min – 13/16" max



Single glazing for minimal aesthetic with the benefit of high acoustic resistance. "Quartz frameless glazing system is both stylish and simple. It is mullion free, with minimal tracks at head, base and abutments." Quartz enables a visually frameless optical with high levels of performance.

American Standards

- Sound Measurements
- Sound Rating
- Structural Stability

Comments:

[CAD file](#)

[Revit file](#)

Contact

Email. info@thesky365.com

Toll Free. 1.800.900.3000