



QUARTZ FRAMELESS GLAZED SYSTEMS

Technical Data Sheet

Product Information

Dimensions:

Height up to 4200mm
Track Width 27mm/32mm/100mm Track
Height 27mm/50mm

Fire Ratings:

FR30/30

Acoustics:

Up to 41dB (Rw)

Structure:

BS5234; BS6180; BS6399

Joints:

Dry Joint

Corners:

"Dry Joint (90, 135 & T)"

Deflection Head:

±12.5mm/±25mm

Door Options:

Timber Door

Glazed Door

Stile Door GOS Door

Profiles & Door Frame:

Aluminium

Ironmongery:

A wide range of ironmongery can be supplied with Quartz

Glass Type:

Toughened – Laminated

Glass Thickness:

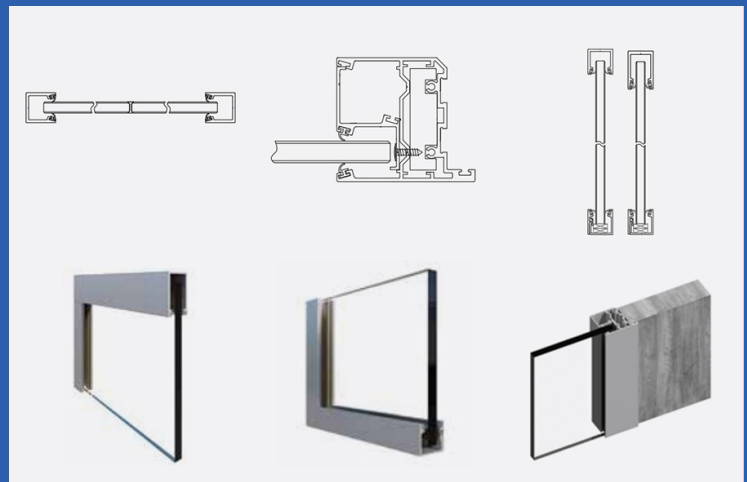
10-19mm

Options:

Blinds Manifestations Graphics Switch Glass

Finishes:

Polyester Powder Coat Satin Anodised Aluminium Special Anodised Finish



Single glazing for minimal aesthetic with the benefit of high acoustic resistance. "Quartz frameless glazing system is both stylish and simple. It is mullion free, with minimal tracks at head, base and abutments." Quartz enables a visually frameless optical with high levels of performance.

American Standards

- Sound Measurements
- Sound Rating
- Structural Stability

Comments:

[CAD file](#)

[Revit file](#)

Contact

Email. info@thesky365.com

Toll Free. 1.800.900.3000

Copyright © 2022 | Sky365