



# QUARTZ CENTRAL GLAZED

## Technical Data Sheet

### Product Information

#### Dimensions:

Standard maximum height: 13ft 9in  
(can be increased with engineering stamp)  
Track Width: 4"

#### Acoustic Performance:

Up to 41 STC

#### Joints:

Clear Polycarbonate dry fit or silicone butt glazing, please specify  
Dry joints available in 180, 135, 90 & T.

#### Deflection:

Max 1.5" allowed in deep deflection header

#### Door Configurations:

Frameless Glass  
Framed All Glass  
Stile Door with Glass  
Double Glazed Acoustic  
Timber Door

#### Track and Frame Materials:

Aluminum

#### Finishes:

Powder Coat  
Anodized Color options  
Wood Effect

#### Hardware:

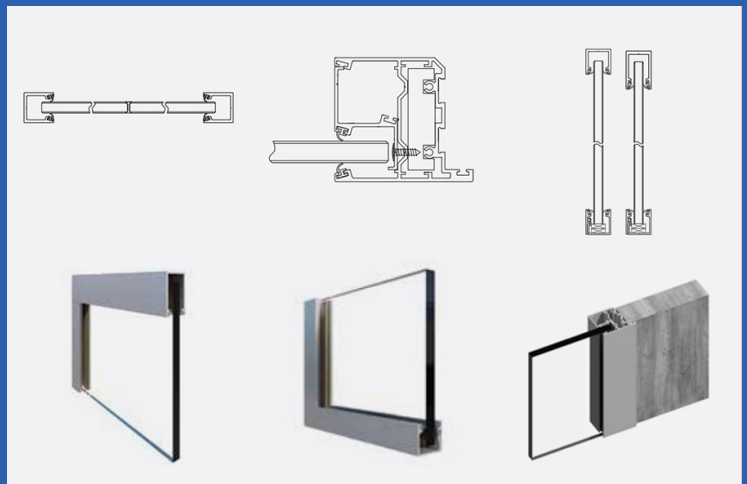
Sky 365 standard hardware  
Custom hardware schedules accommodated

#### Glass Types:

Tempered  
Tempered-Laminated  
Ballistic  
LCD  
Tinted

#### Thicknesses:

3/8" min – 13/16" max



Single glazing for minimal aesthetic with the benefit of high acoustic resistance. "Quartz frameless glazing system is both stylish and simple. It is mullion free, with minimal tracks at head, base and abutments." Quartz enables a visually frameless optical with high levels of performance.

- American Standards
- Sound Measurements
  - Sound Rating
  - Structural Stability

#### Comments:

[CAD file](#)

[Revit file](#)

#### Contact

Email. [info@thesky365.com](mailto:info@thesky365.com)  
Toll Free. 1.800.900.3000